

# TECNA<sup>®</sup>

INDUSTRIAL RESISTANCE WELDING SYSTEMS

THE CUTTING-EDGE TECHNOLOGY FOR RESISTANCE WELDING  
A COMMITMENT TO CONTINUOUS IMPROVEMENT

# NEW

## LOAD CELLS FOR RESISTANCE WELDERS

### from 100 to 8000 daN



Unaffected by off-axis loads

Immune to electromagnetic field

Low deflection under load

Interchangeable with  
standard plate



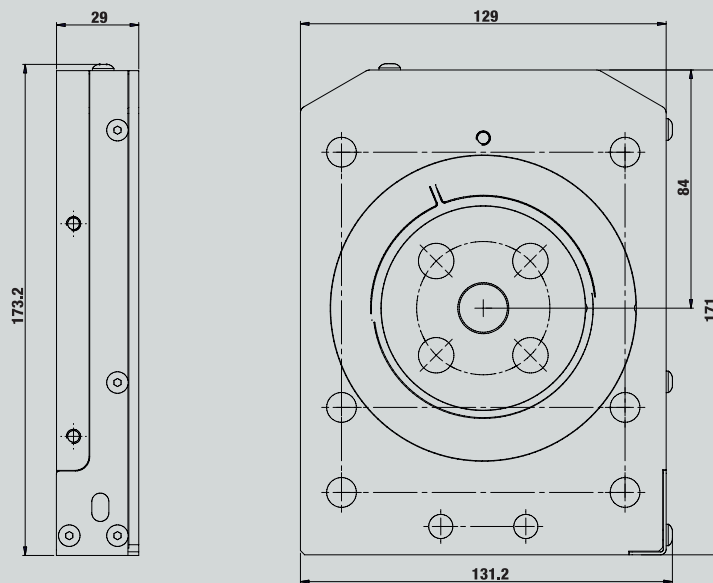
CE EAC UK CA MADE IN ITALY



LOAD CELL: 7730000003 / 7730000004

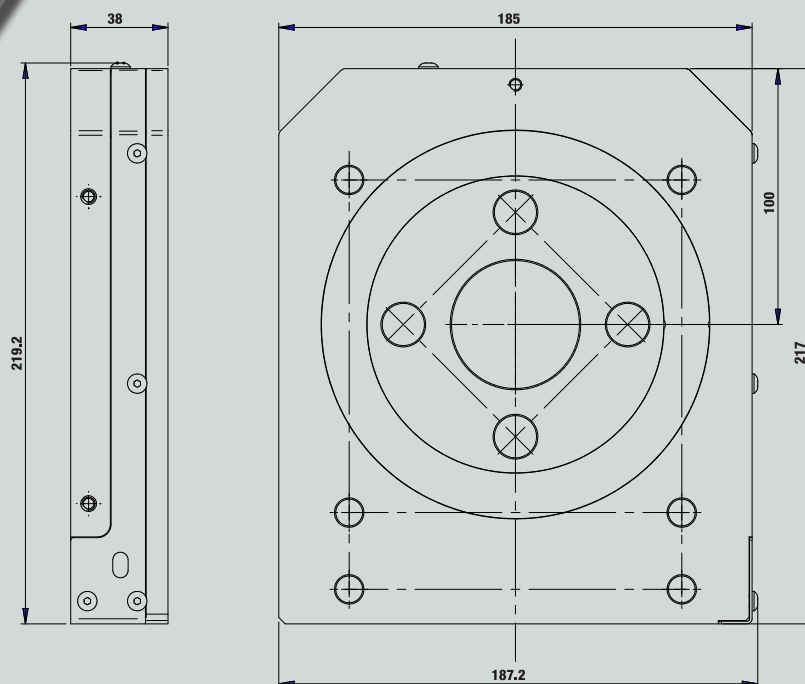
TECHNICAL SPECIFICATIONS	773000003	773000004
Material	Stainless steel 17.4-PH (AISI630)	
Capacity (f.s.)	<b>1500 daN</b>	<b>8000 daN</b>
Nominal output	~ 0,5mV/V	~ 0,8 mV/V
Input resistance	350±2 ohm	
Output resistance	350±2 ohm	
Insulation resistance	>5Gohm	
Linearity error with axial load	<±0,04% f.s.	
Protection	IP65	
Operating temperature	-10°C ... +60°C	
Output with 4-conductor shielded cable suitable for mobile laying	L=5m	

773000003



1500 daN

773000004



8000 daN

DCI5400001